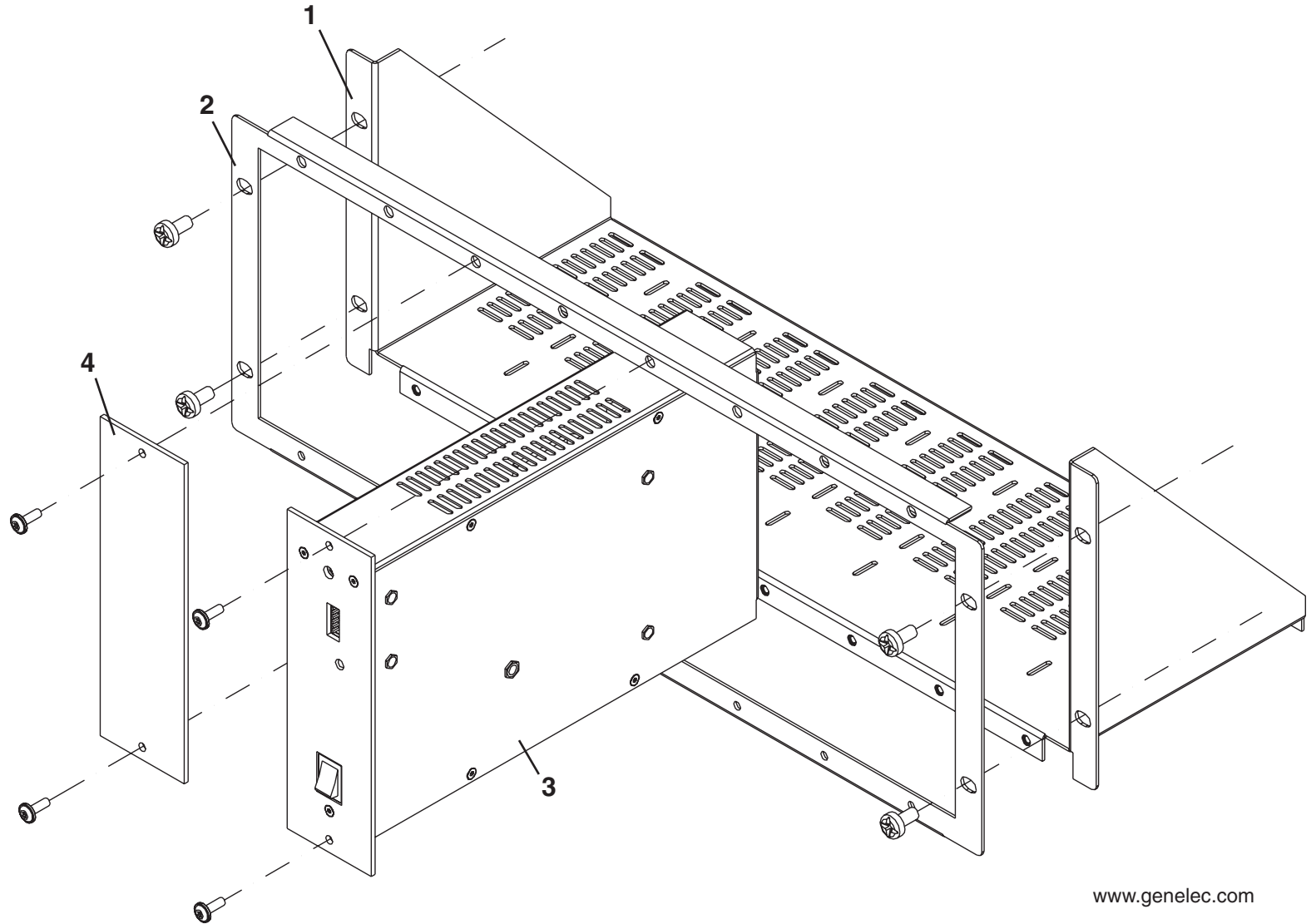


### Installation

The required space for the RM2 Rack Mount is 4U in a well ventilated 19" equipment rack.

Attach the rack mount main chassis (1) and front frame (2) to the rack with suitable screws. Leave the screws slightly loose to allow moving the parts.

Connect the cabling to the RAM2 amplifier module and attach it to the rack mount with two M4 screws provided. The adapter can take up to eight RAM2 modules. A single blanking plate is included with each RM2 (item 4 in diagram). If needed, additional blanking plates can be purchased (order code 272-0031). Finally, tighten the screws binding the adapter to the rack. The installation is now complete.



[www.genelec.com](http://www.genelec.com)

International enquiries:  
Genelec, Oivitie 5  
FIN-74100, Iisalmi, Finland  
Phone +358 17 83881  
Fax +358 17 812 267  
Email [genelec@genelec.com](mailto:genelec@genelec.com)

In the U.S. please contact:  
Genelec, Inc., 7 Tech Circle  
Natick, MA 01760, USA  
Phone +1 508 652 0900  
Fax +1 508 652 0909  
Email [genelec.usa@genelec.com](mailto:genelec.usa@genelec.com)

In China please contact:  
Beijing Genelec Audio Co. Ltd.  
Jianwai SOHO, Tower 12, Room 2306  
39 East 3rd Ring Road  
Chaoyang District  
Beijing 100022, China  
Phone +86 0 5869 7915, Fax +86 10 5869 7914

In Sweden please contact:  
Genelec Sverige  
Ellipsvägen 10B  
P.O. Box 5521, S-141 05 Huddinge  
Phone +46 8 449 5220  
Fax +46 8 708 7071  
Email [info@genelec.com](mailto:info@genelec.com)